



DESCRIPTION

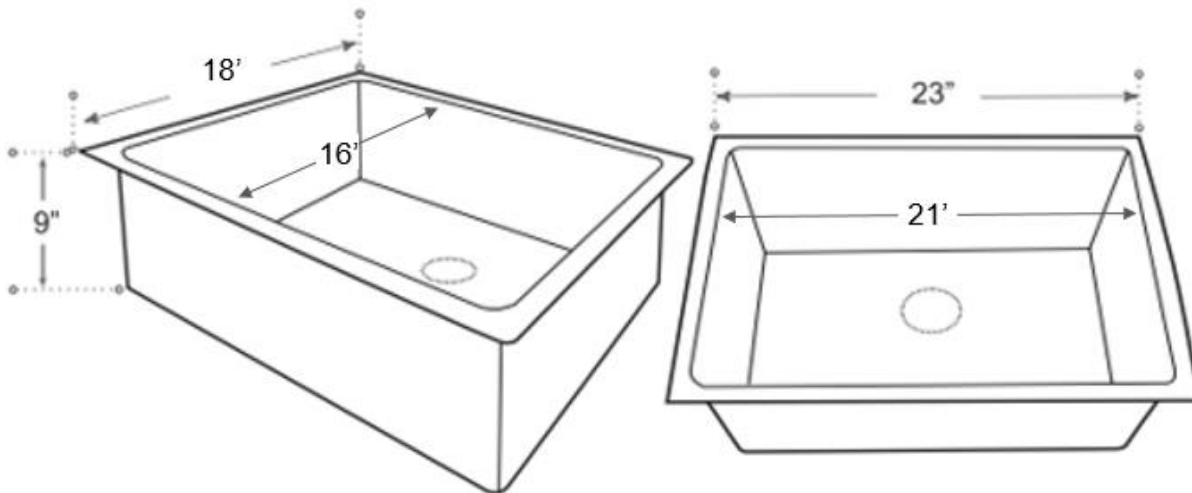
R10 Radius Handmade Sink _____
 Undermount Single Bowl _____
 304 Stainless Steel Sink _____
 Complies with CSA Standards

MEASUREMENTS

SIZE	DRILLING
23' x 18' x 9'	N/A

All dimensions are approximate.

Structure measurements must be verified against the unit to ensure proper fit.



OPTIONS & ACCESSORIES

- Grid
- Collander
- Tray