

AA-T3120D



DESCRIPTION

Top Mount Double Bowl

18 gauge T-304 stainless steel

Stone guard undercoated

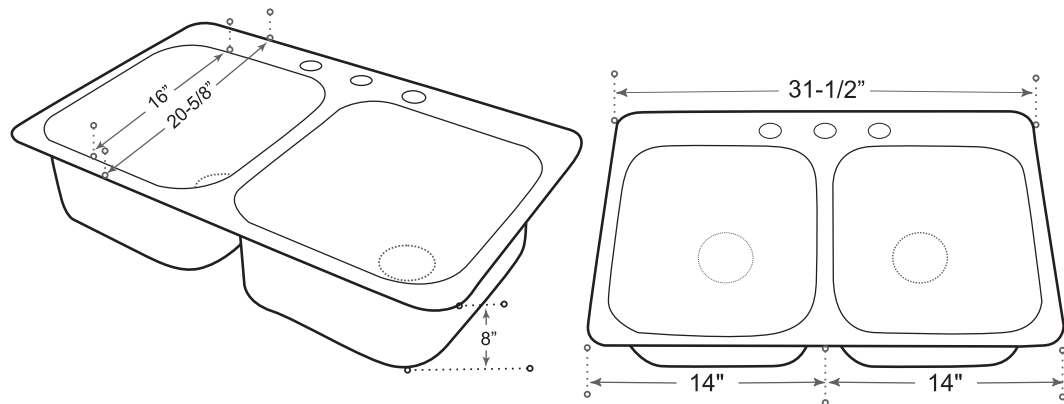
Complies with CSA standards

Satin finish

MEASUREMENTS

SIZE	DRILLING
31-1/2" x 20-5/8" x 8"	8"

*All dimensions are approximate.
Structure measurements must be verified against the unit to ensure proper fit.*



OPTIONS & ACCESSORIES

Grid AA-BG4136B

* 114 s/s strainer included
* Additional accessories see section 11