

AA-2020-8



DESCRIPTION

Top Mount Single Bowl

18 gauge T-304 stainless steel

Stone guard undercoated

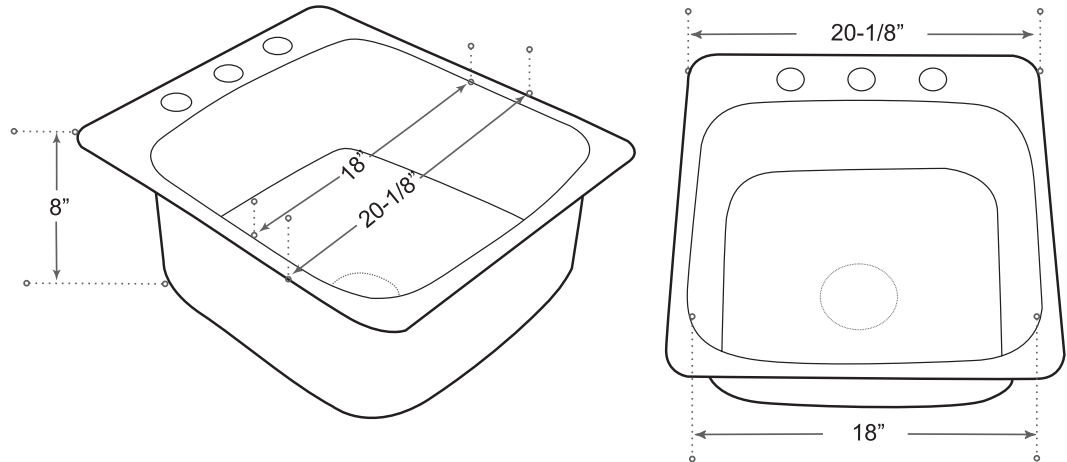
Complies with CSA standards

Satin finish

MEASUREMENTS

SIZE	DRILLING
20-1/8" x 20-1/8" x 8"	8"

*All dimensions are approximate.
Structure measurements must be verified against the unit to ensure proper fit.*



OPTIONS & ACCESSORIES

Grid

Collander

Tray

** 114 s/s strainer included*

** Additional accessories see section 11*