

DESCRIPTION

Undermount Bar Sink

18 guage T-304 stainless steel

Stone guard undercoated

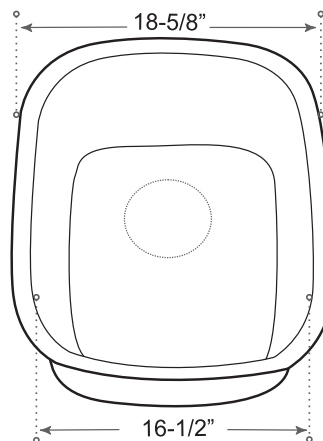
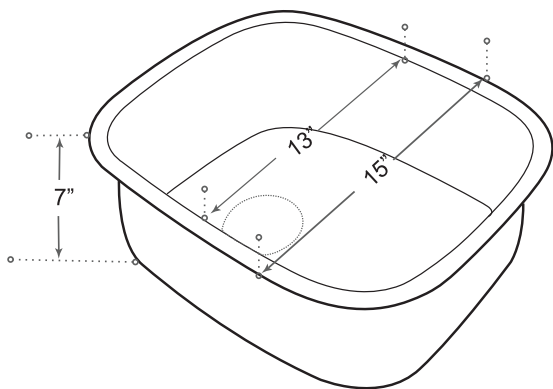
Complies with CSA standards

Satin finish

MEASUREMENTS

SIZE	DRILLING
18-5/8" x 15" x 7"	N/A

*All dimensions are approximate.
Structure measurements must be verified against the unit to ensure proper fit.*



OPTIONS & ACCESSORIES

Grid

** 114 s/s strainer included*

** Additional accessories see section 11*