

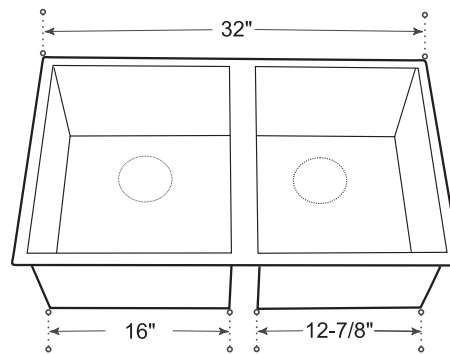
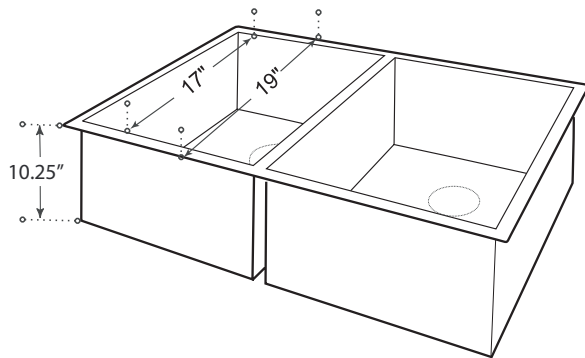
DESCRIPTION

- Undermount Right-Angled Double Bowl
- 16 guage T-304 stainless steel
- Stone guard undercoated
- Complies with CSA standards
- Insulated
- Drain groove design

MEASUREMENTS

| SIZE | DRILLING |
|---------------------|----------|
| 32" x 19" x 10-1/4" | N/A |

*All dimensions are approximate.
Structure measurements must be verified against the unit to ensure proper fit.*



OPTIONS & ACCESSORIES

Grid

Collander

Tray

** 114 s/s strainer included*

** Additional accessories see section 11*