

# AA-RR3219C



## DESCRIPTION

10° Radius Undermount Single Bowl

16 guage T-304 stainless steel

Stone guard undercoated

Complies with CSA standards

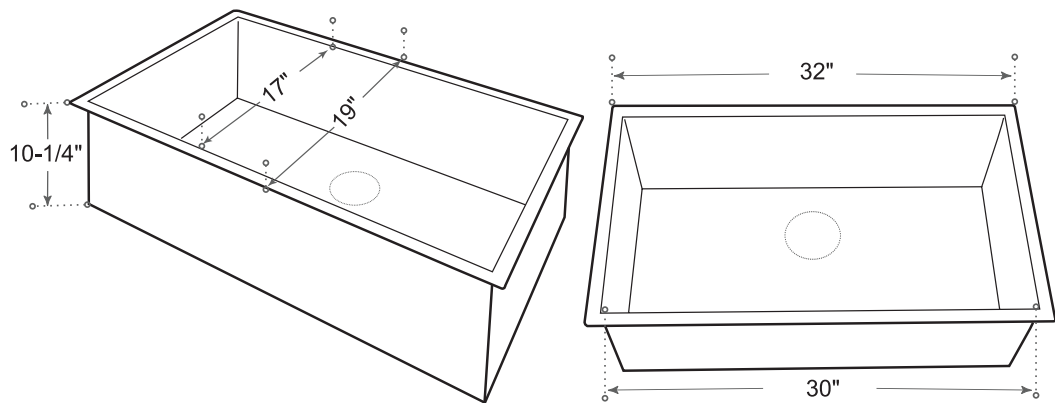
Insulated

Drain groove design

## MEASUREMENTS

SIZE	DRILLING
32" x 17" x 10-1/4"	N/A

*All dimensions are approximate.  
Structure measurements must be verified against the unit to ensure proper fit.*



## OPTIONS & ACCESSORIES

Grid

Collander

Tray

*\* 114 s/s strainer included*

*\* Additional accessories see section 11*