



## DESCRIPTION

Skirted (available without skirt)  
 White (available w/ left or right hand drain)  
 High gloss acrylic  
 Complies with CSA standards

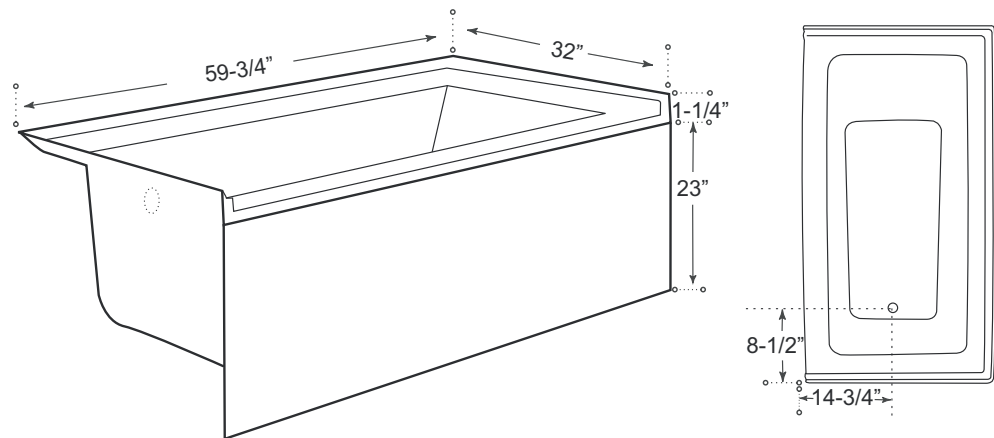
## MEASUREMENTS

| SIZE            | LITRES / GALLONS |
|-----------------|------------------|
| 60" x 32" x 23" | 190L / 42G       |

Drain sold separately.

All dimensions are approximate.

Structure measurements must be verified against the unit to ensure proper fit.



## OPTIONS & ACCESSORIES

4 Hydro Jet system

6 Hydro Jet system

Air Jet system

Inline heater

Gel headrest

Chromatherapy light (multi colour)

Skirt cut-off

Add wooden panel

Removable panel

2.2

\* Additional accessories see section 11