



DESCRIPTION

Skirted (also available without skirt)
 White (available w/ left or right hand drain)
 High gloss acrylic
 Complies with CSA standards

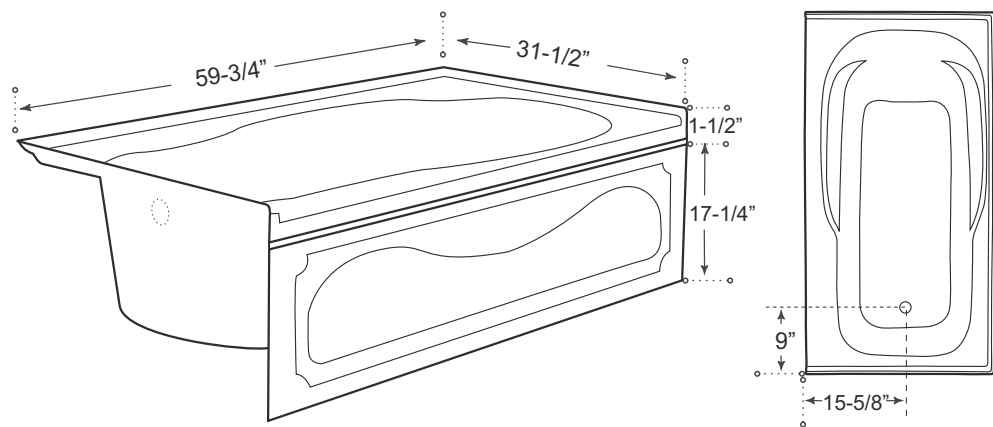
MEASUREMENTS

SIZE	LITRES / GALLONS
60" x 32" x 19"	155L / 34G

Drain sold separately.

All dimensions are approximate.

Structure measurements must be verified against the unit to ensure proper fit.



OPTIONS & ACCESSORIES

4 Hydro Jet system

6 Hydro Jet system

Air Jet system

Inline heater

Gel headrest

Chromatherapy light (multi colour)

Skirt cut-off

Add wooden panel

Removable panel

* Additional accessories see section 11