

AA-KELOWNA



DESCRIPTION

Skirted (also available without skirt)

White (available w/ left or right hand drain)

High gloss acrylic

Complies with CSA standards

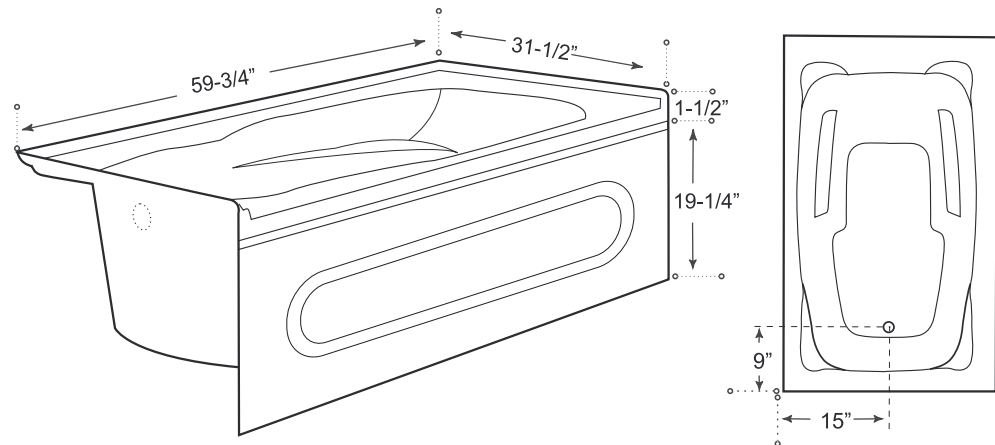
MEASUREMENTS

| SIZE | LITRES / GALLONS |
|-----------------|------------------|
| 60" x 32" x 21" | 170L / 37.5G |

Drain sold separately.

All dimensions are approximate.

Structure measurements must be verified against the unit to ensure proper fit.



OPTIONS & ACCESSORIES

4 Hydro Jet system

6 Hydro Jet system

Air Jet system

Inline heater

Gel headrest

Chromatherapy light (multi colour)

Skirt cut-off

Add wooden panel

Removable panel

* Additional accessories see section 11