

## DESCRIPTION

Skirted (also available without skirt)

White (available w/ left or right hand drain)

High gloss acrylic

Complies with CSA standards

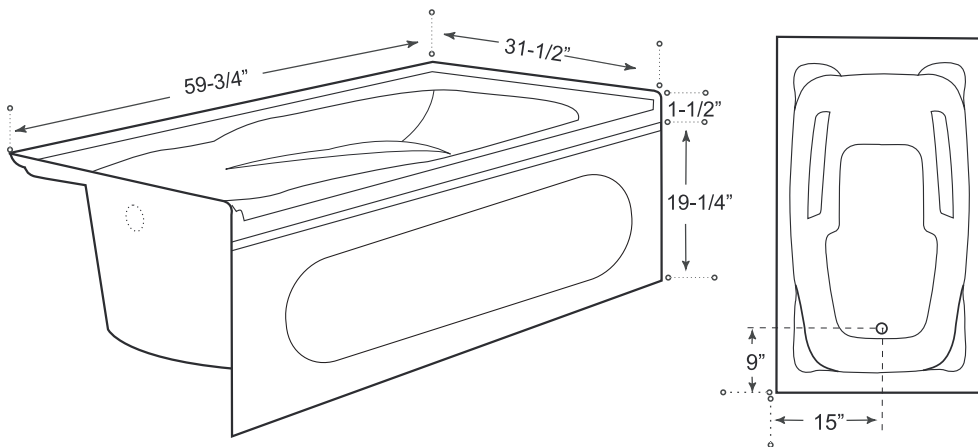
## MEASUREMENTS

SIZE	LITRES / GALLONS
60" x 32" x 21"	170L / 37.5G

Drain sold separately.

All dimensions are approximate.

Structure measurements must be verified against the unit to ensure proper fit.



## OPTIONS & ACCESSORIES

4 Hydro Jet system

6 Hydro Jet system

Air Jet system

Inline heater

Gel headrest

Chromatherapy light (multi colour)

Skirt cut-off

Add wooden panel

Removable panel

\* Additional accessories see section 11