

AA-RR3219A



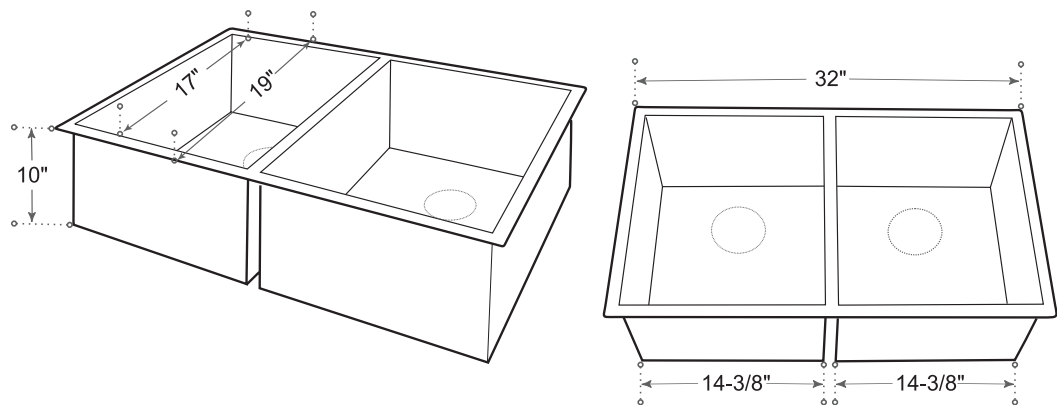
DESCRIPTION

10° Radius Undermount Double Bowl
16 guage T-304 stainless steel
Stone guard undercoated
Complies with CSA standards
Insulated
Drain groove design

MEASUREMENTS

SIZE	DRILLING
32" x 18-7/8" x 10"	N/A

*All dimensions are approximate.
Structure measurements must be verified against the unit to ensure proper fit.*



OPTIONS & ACCESSORIES

Grid

Collander

Tray

** 114 s/s strainer included*

** Additional accessories see section 11*

8.14