

## DESCRIPTION

Ceramic Round Sink (Black)

Above counter installation

Hand crafted

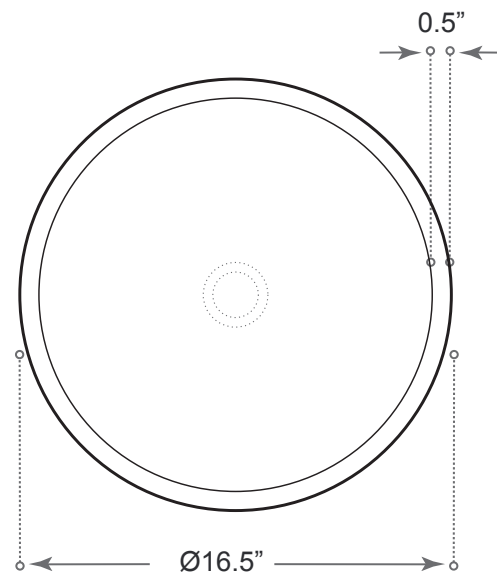
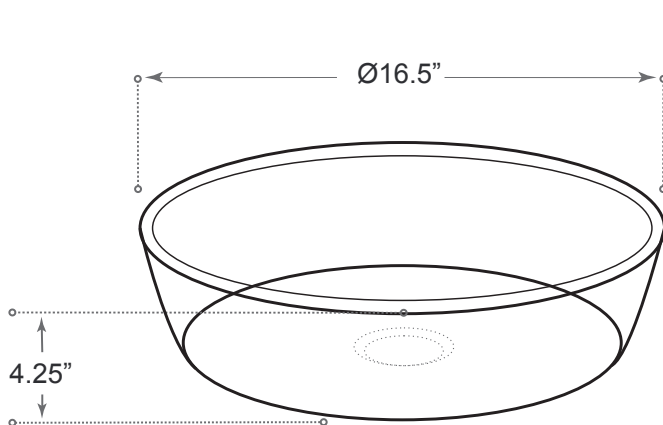
Matte surface

Complies with CSA standards

## MEASUREMENTS

| SIZE           | DRILLING |
|----------------|----------|
| Ø16.5" x 4.25" | N/A      |

All dimensions are approximate.  
Structure measurements must be verified against the unit to ensure proper fit.



## OPTIONS & ACCESSORIES

PD-01 pop up drain /no overflow

\* Additional accessories see section 11