

DESCRIPTION

10' Radius Undermount Single Bowl
 16 Guage T-304 Stainless Steel
 Stone Guard Undercoated
 Complies with cUPC Standards

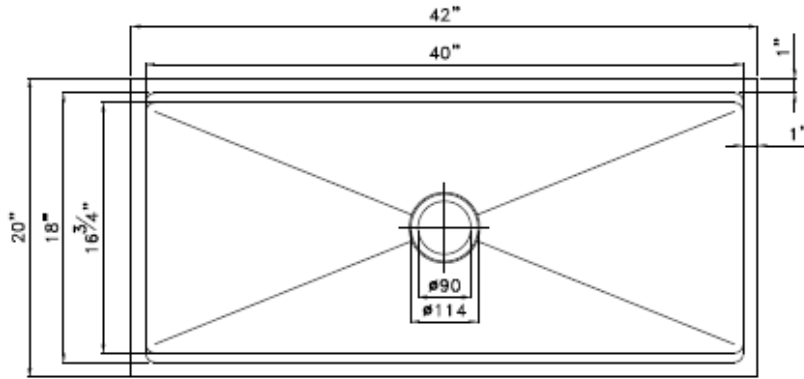


MEASUREMENTS

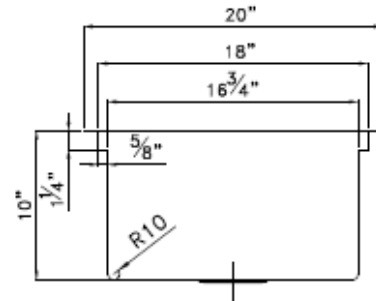
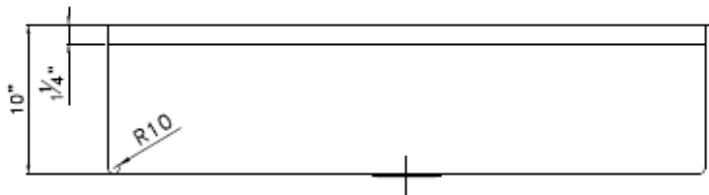
SIZE	DRILLING
42' x 20' x 10'	N/A

All dimensions are approximate.

Structure measurements must be verified against the unit to ensure proper fit.



NO.: RR4220C



OPTIONS & ACCESSORIES

Grid (included)

Collander (included)

Tray (included)