

AA-RR6020BL



DESCRIPTION

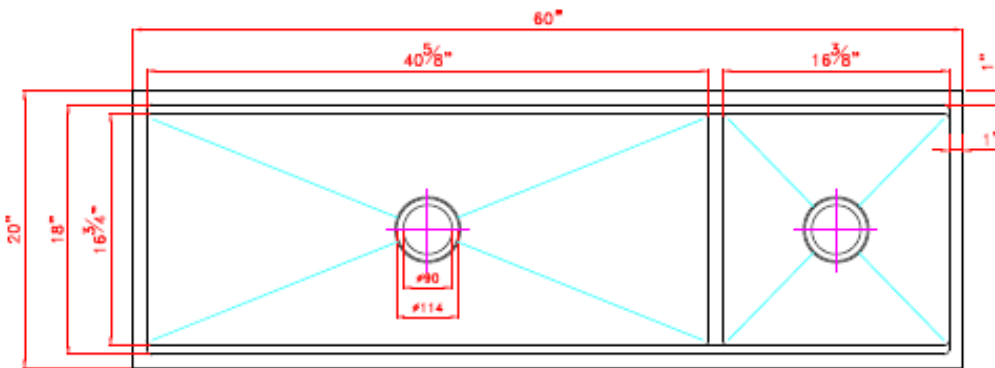
10' Radius Undermount Double Bowl
16 Gauge T-304 Stainless Steel
Stone Guard Undercoated
Complies with cUPC Standards

MEASUREMENTS

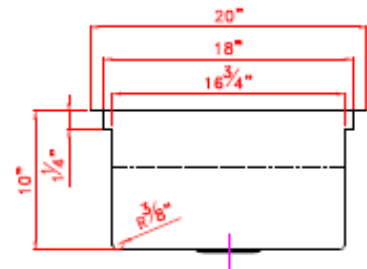
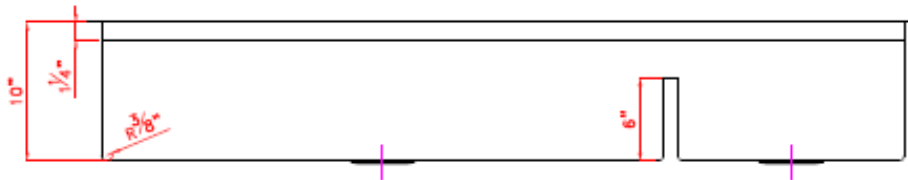
SIZE	DRILLING
60' x 20' x 10'	N/A

All dimensions are approximate.

Structure measurements must be verified against the unit to ensure proper fit.



NO. : 6020
材料 : 1.35



OPTIONS & ACCESSORIES

Grid (included)

Collander (included)

Tray (included)