



DESCRIPTION

Ceramic Round Vessel Sink
Black Finish
Above the Counter Installation
Complies with CSA Standards

MEASUREMENTS

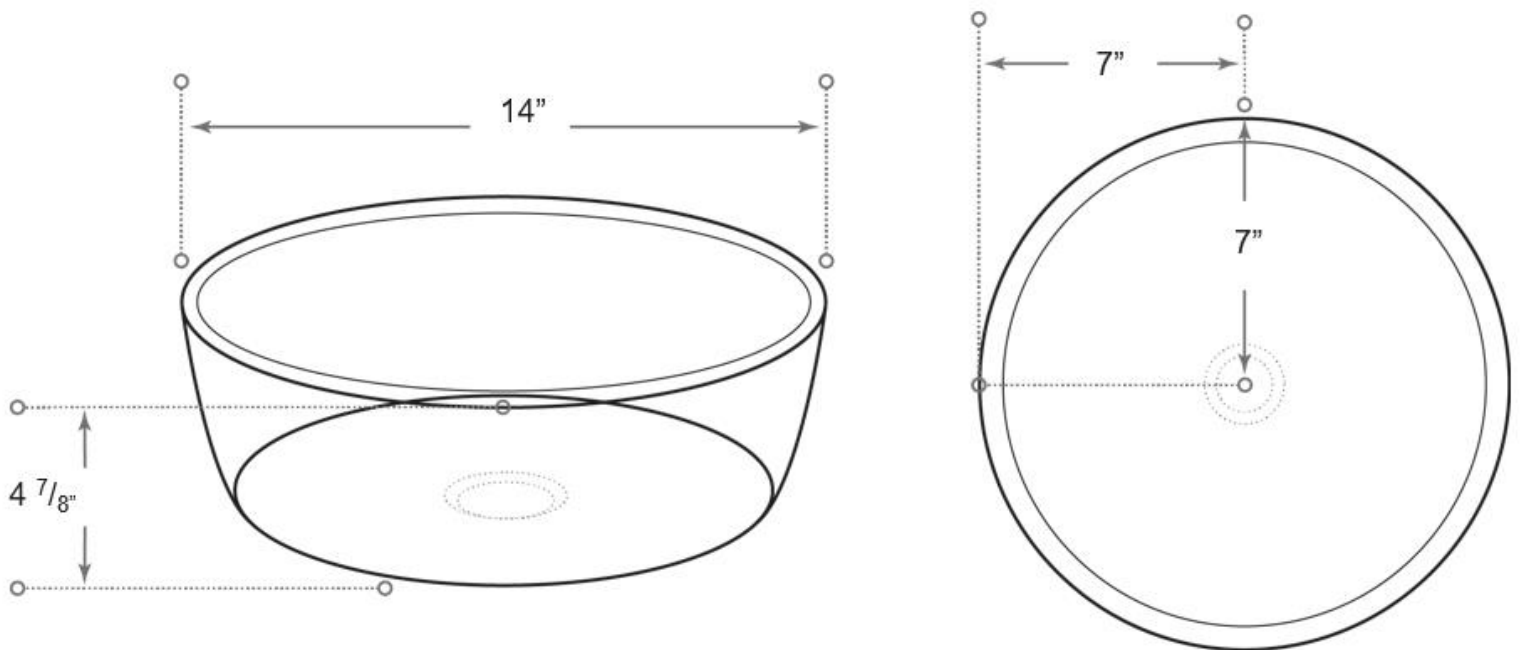
SIZE

14" x 7" x 4 7/8"

Drain sold separately.

All dimensions are approximate.

Structure measurements must be verified against the unit to ensure proper fit.



OPTIONS & ACCESSORIES

OMT S2 - Pop up drain/ overflow