

## DESCRIPTION

Stone Vessel Sink  
White Finish  
Above the Counter Installation  
Complies with CSA Standards



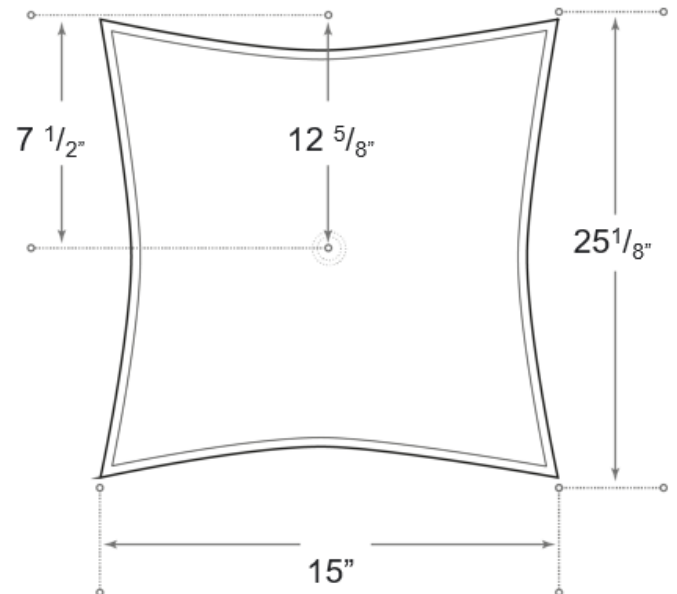
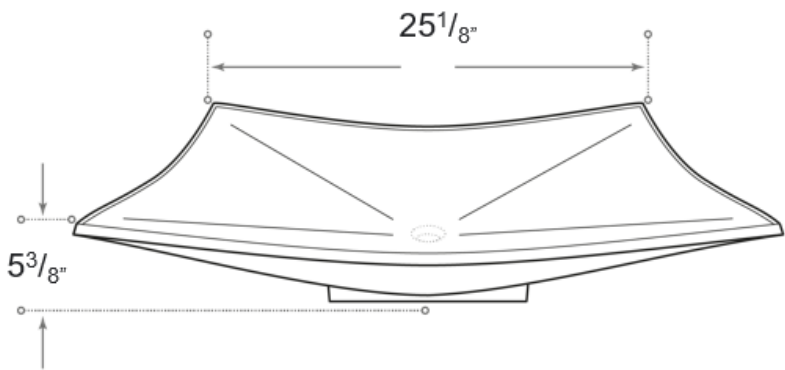
## MEASUREMENTS

### SIZE

$25 \frac{1}{8} \times 15 \times 5 \frac{3}{8}$

*All dimensions are approximate.*

*Structure measurements must be verified against the unit to ensure proper fit.*



## OPTIONS & ACCESSORIES

OMT-S2 Pop up drain/overflow