



DESCRIPTION

Stone Vessel Sink
White Finish
Above the Counter Installation
Complies with CSA Standards

MEASUREMENTS

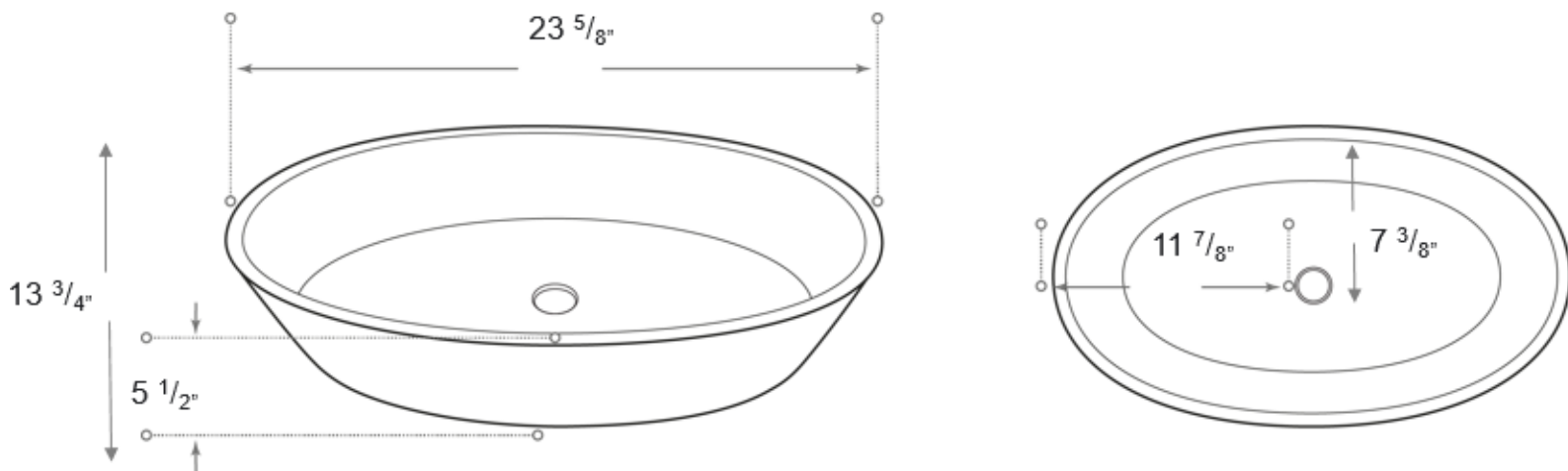
SIZE

$23\frac{5}{8}'' \times 13\frac{3}{4}'' \times 5\frac{1}{2}''$

Drain sold separately.

All dimensions are approximate.

Structure measurements must be verified against the unit to ensure proper fit.



OPTIONS & ACCESSORIES

OMT- S2 Pop up drain/no overflow