

DESCRIPTION

Manual Bidet Seat

Self-Cleaning sprayer

Complies with cUPC Standards.



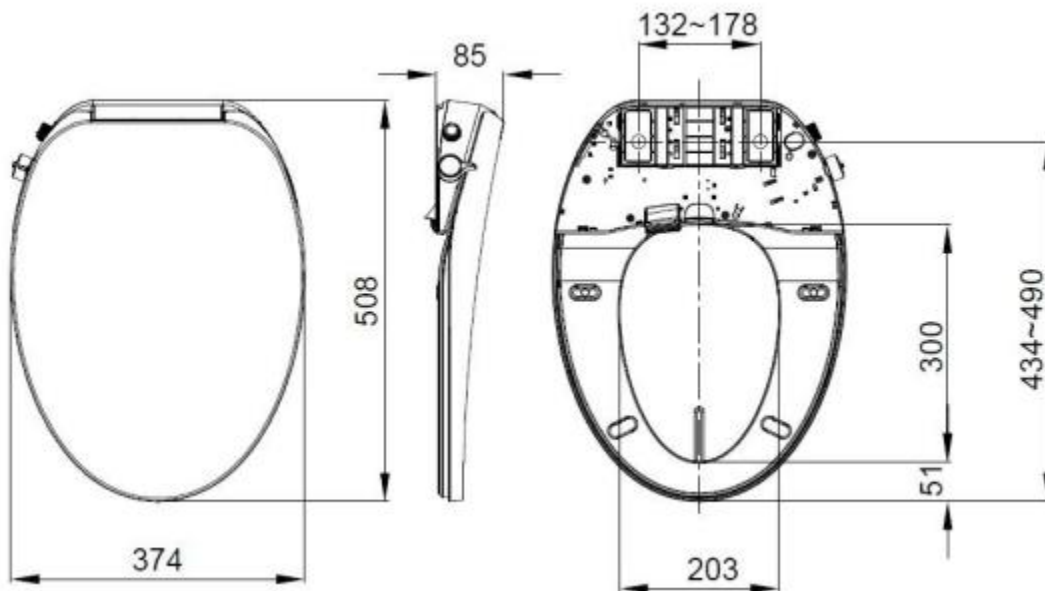
MEASUREMENTS

SIZE

20" × 14.72" × 3.34"

All dimensions are approximate.

Structure measurements must be verified against the unit to ensure proper fit.



BASE SPECIFICATION

1	Material	PP
2	Antibacterial parts	Sparyer/Seat ring
3	Water feed pressure	0.1-0.75Mpa
4	Water feed temperature	5-35°C
5	Environment temperature	0-40°C
6	Net weight	2.8kg
7	Certification	UPC

PRODUCT FUNCTION LIST

FUNCTIONS		AA-BES01
Heating type	Instant heating with constant temperature	X
Rinsing functions	Hip rinsing	●
	Bidet	●
	Rinsing when power off	X
	Sprayer selfclean	●
	Water temperature adjustable	X
	Water flow rate adjustable	X
	Booster pump	X
	Seat function	Seat temperature adjustable
	Sitting sensor	X
Open type	Manual	●
Lightings	Night light (controllable)	X
	Knob light (controllable)	X
Drying function	Wind temperature adjustable	X
	Button to open	X
Remote control		X

www.aquaart.ca | info@aquaart.ca