



## DESCRIPTION

Electrical Bidet Seat

Heated Seat

Self-Cleaning w/Anti-Bacterial

Complies with cUPC Standards

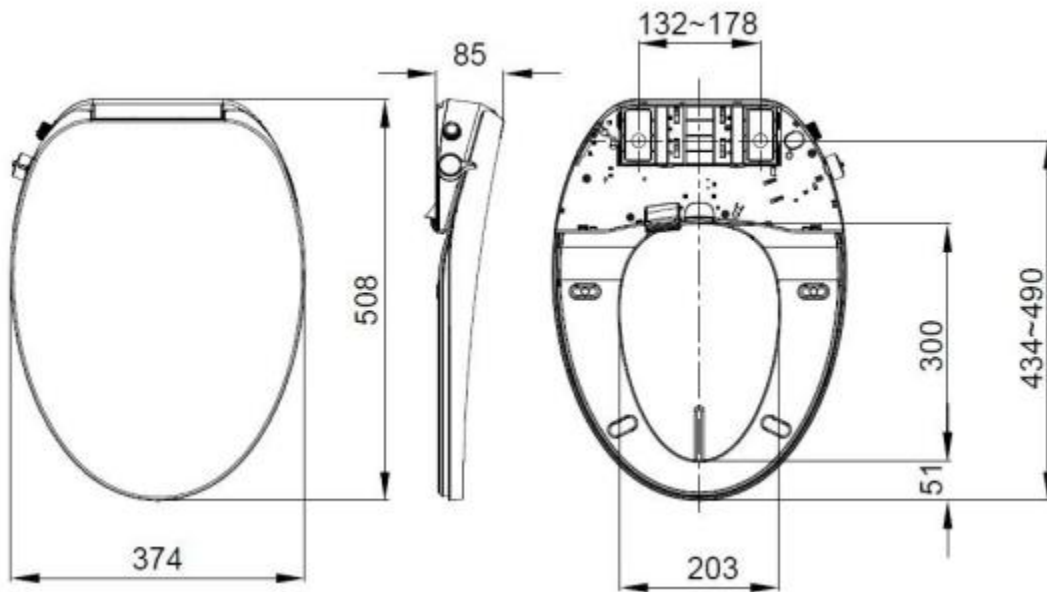
## MEASUREMENTS

### SIZE

20" × 14.72" × 3.34"

*All dimensions are approximate.*

*Structure measurements must be verified against the unit to ensure proper fit.*



## BASE SPECIFICATION

1	Material	PP
2	Antibacterial parts	Sparyer/Seat ring
3	Nominal voltage	110V~,50Hz
4	Rated Power	1050W
5	Heating type	Instant heating
6	Heating Power	1550W
7	Water feed pressure	0.1-0.75Mpa
8	Water feed temperature	5-35°C
9	Environment temperature	0-40°C
10	Water temperature	3gears: 35/38°C/off
11	Seat temperature	3gears: 33/37°C/off
12	Water proof	IPX4
13	Constant temperature	±2°C
14	Net weight	3.2kg
15	Certification	UPC / EGS

## PRODUCT FUNCTION LIST

FUNCTIONS		AA-ES01-112
Heating type	Instant heating with constant temperature	●
Rinsing functions	Hip rinsing	●
	Bidet	●
	Rinsing when power off	●
	Sprayer selfclean	●
	Water temperature adjustable	●
	Water flow rate adjustable	●
	Booster pump	X
Seat function	Seat temperature adjustable	●
	Sitting sensor	●
Open type	Manual	●
Lightings	Night light (controllable)	●
	Knob light (controllable)	●
Drying function	Wind temperature adjustable	●
	Button to open	●
Remote control		X

[www.aquaart.ca](http://www.aquaart.ca) | [info@aquaart.ca](mailto:info@aquaart.ca)